



## PanBlast™ Kombi NPT Remote Control Valve



Surface Finishing  
Equipment Group

### **PanBlast™ Kombi NPT Remote Control Valve**

The PanBlast™ Kombi NPT Remote Control Valve is a one piece combination inlet and outlet valve utilized to control compressed air supply into and out of the blast pot.

A single piston assembly is utilized to both open and close the valve's inlet and outlet sections simultaneously. The valve is operated by a pilot air signal received when the operator activates the PanBlast™ AirStop Remote Control Handle.

In its un-activated state, a return spring is used to compress a diaphragm against the valves inlet port, preventing compressed air from entering the blast pot or blast hose.

Upon receiving the signal from the control handle, the piston assembly retracts, opening the inlet port and simultaneously clamps closed the blow down exhaust hose, permitting the pot to pressurize.

When the control handle is released, the valve returns to its un-activated state, and the pot de-pressurizes.



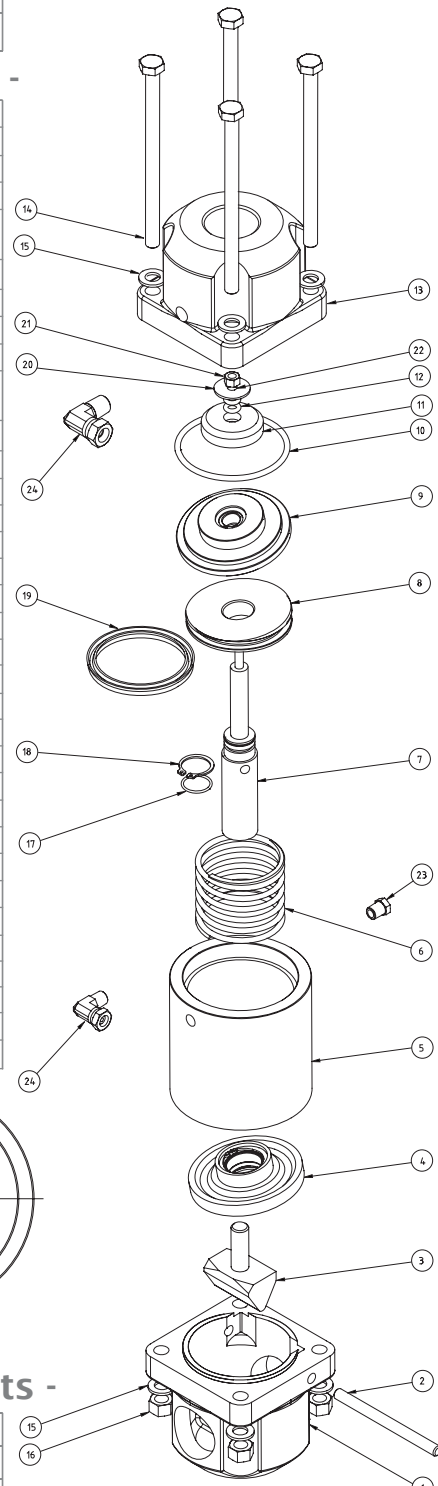
Distributed by: Hogg Blasting & Finishing Equipment Ltd. Tel: 0191 415 3030 - Abraclean Ltd. Tel: 0161 480 8087 - Part of the Surface Finishing Equipment Group - www.sfeg.co.uk

## PanBlast™ Kombi NPT Valve Assembly -

Stock Code	Description	Weight
BAC-RC-0143-02	Kombi Valve Assembly	4.3kg (9.5lbs)

## PanBlast™ Kombi NPT Valve Parts List -

Item	Stock Code	Description	Qty
1	YAC-RC-PB-0144	Cap	1
2	YAC-RC-PB-0145	Pin	1
3	YAC-RC-0146-02	Pinch Ram	1
4	BAC-RC-0472-01	Upper Rod Guide Assembly Combines items: 26, 27, 28 & 29	1
5	YAC-RC-PB-0150	Cylinder	1
6	YAC-RC-PB-0151	Spring	1
7	YAC-RC-PB-0152	Shaft	1
8	YAC-RC-PB-0153	Piston	1
9	BAC-RC-0473-01	Lower Rod Guide Assembly Combines items: 30, 31, 32 & 33	1
10	YAC-BS-PB-0016	O-Ring	1
11	YAC-RC-PB-0158	Valve Plug	1
12	YAC-BS-PB-0017	O-Ring	2
13	YAC-RC-PB-0160	Base	1
14	YAC-FN-PB-0215	Hex Head Bolt	4
15	YAC-FN-PB-0017	Flat Washer	8
16	YAC-FN-PB-0219	Nut	4
17	YAC-BS-PB-0018	O-Ring	1
18	YAC-FN-PB-0216	External Circlip	1
19	YAC-RC-PB-0162	Piston Seal	1
20	YAC-FN-PB-0217	Flat Washer	1
21	YAC-FN-PB-0256	Lock Nut	1
22	YAC-FN-PB-0233	Curved Spring Washer	1
23	BAC-AF-PB-0168	Exhaust Filter	1
24	YAC-PB-PB-0234	Elbow	1
25	YAC-PB-PB-0235	Elbow	1
26	YAC-RC-0148-01	Upper Rod Guide	1
27	YAC-RC-0149-01	Upper Rod Guide Bush	1
28	YAC-RC-PB-0147	Upper Rod Seal	1
29	YAC-FN-0299-00	Circlip	1
30	YAC-RC-0154-02	Lower Rod Guide	1
31	YAC-RC-0156-01	Lower Rod Guide Bush	1
32	YAC-RC-PB-0155	Lower Rod Seal	1
33	YAC-FN-0300-00	Circlip	1



## PanBlast™ Kombi NPT Valve Service Kits -

Stock Code	Description
BAC-RC-PB-0242	End Cap Kit - Includes items 1 & 2
BAC-RC-PB-0265	Seal Serve Kit - Includes items 10, 11, 12, 17, 18, 19, 20, 21, 22, 28 & 32
BAC-RC-PB-0365	Plug Kit - Includes items 11, 12, 20, 21 & 22

Blast Pots & Cabinets - Remote Control Valves - Abrasive Control Valves - Blast Nozzles - Nozzle Holders & Couplings - Helmets & Breathing Air Filters - Blast Suits



Surface Finishing  
Equipment Group



PanBlast™  
www.panblast.com

Distributed by:  
Hogg Blasting & Finishing Equipment Ltd  
Tel: 0191 415 3030

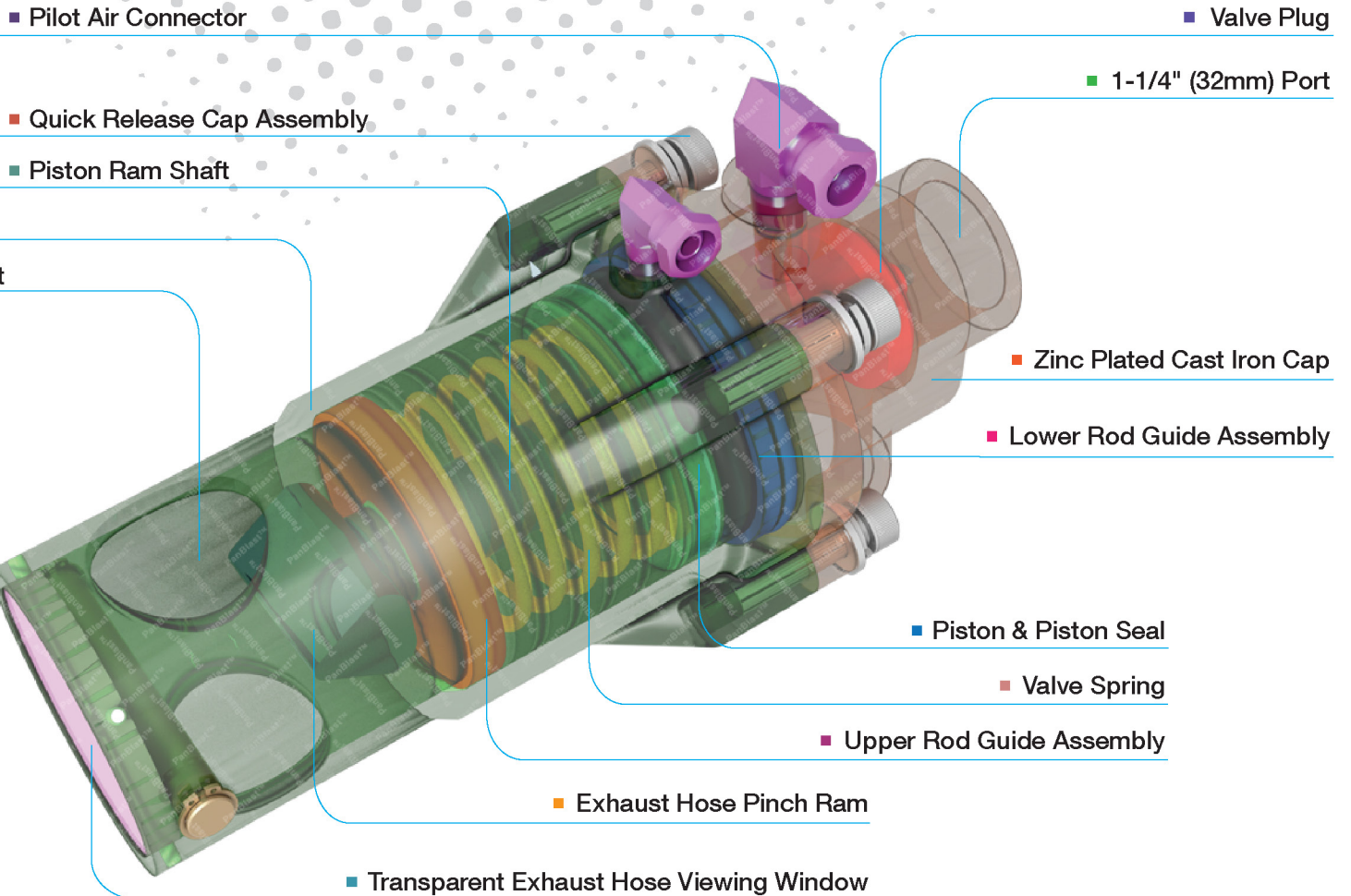
Abraclean Ltd  
Tel: 0161 480 8087

Part of the Surface Finishing Equipment Group  
www.sfeg.co.uk



# KOMBI II NPT REMOTE CONTROL VALVE

## Features In A Snapshot :)



## Kombi II NPT Remote Control Valve Benefits & Features

- Pilot Air Connector
- Quick Release Cap Assembly
- Piston Ram Shaft
- Valve Cylinder
- Wide Throat Exhaust Hose Port
- Transparent Exhaust Hose Viewing Window
- Exhaust Hose Pinch Ram
- Upper Rod Guide Assembly
- Valve Spring
- Piston & Piston Seal
- Lower Rod Guide Assembly
- Zinc Plated Cast Iron Cap
- 1-1/4" (32mm) Port
- Valve Plug

LIKE US ON FACEBOOK  
[www.facebook.com/panblast](http://www.facebook.com/panblast)

FOLLOW US ON TWITTER  
 Ask ACE!@PanBlast

500 FIND US ON 500PX  
[500px.com/panblast](http://500px.com/panblast)

[www.panblast.com](http://www.panblast.com)